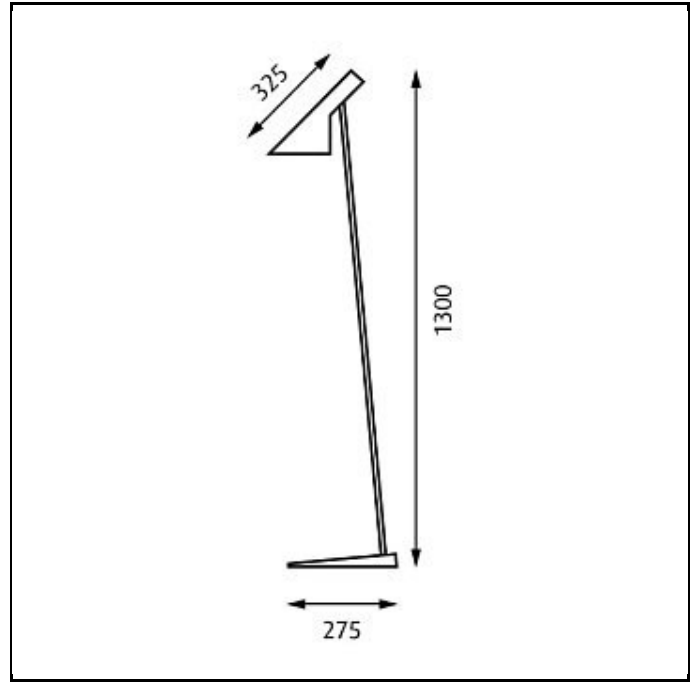


# AJ Floor



**Design** Arne Jacobsen

**Concept** The fixture emits downward directed light. The angle of the shade can be adjusted to optimize light distribution. The shade is painted white on the inside to ensure a soft comfortable light.

**Finish** Blue/green, petroleum, red, sand, yellow/green, black, graphite grey or white, wet painted.

**Material** Shade: Spun steel. Base: Die cast zinc. Stem: Steel.

**Mounting** Cable type: Plastic cord with plug. Cable length: 2.4m. Light control: In-line switch on cord.

**Weight** Max. 3.5kg.

**Class** Ingress protection IP20. Electric shock protection II.

| Product Code | Light source | Finish   | Switch/Plug     | Cable type       |
|--------------|--------------|--|-----------------|------------------|
| AJ-F         | 1x60W E27    | BLK<br>BLUE/GREEN<br>GRAPH GREY<br>PETROLEUM<br>RED<br>SAND<br>WHT<br>YELLOW/GREEN | W/ON/OFF SWITCH | BLK PL<br>WHT PL |

**Specification notes**

The white version is supplied with a white cable. The other versions are supplied with a black cable. The innovation of light sources is ongoing. Consequently we only inform about the max. wattages. On [www.louispoulsen.com](http://www.louispoulsen.com) we update a list of recommendable light sources.